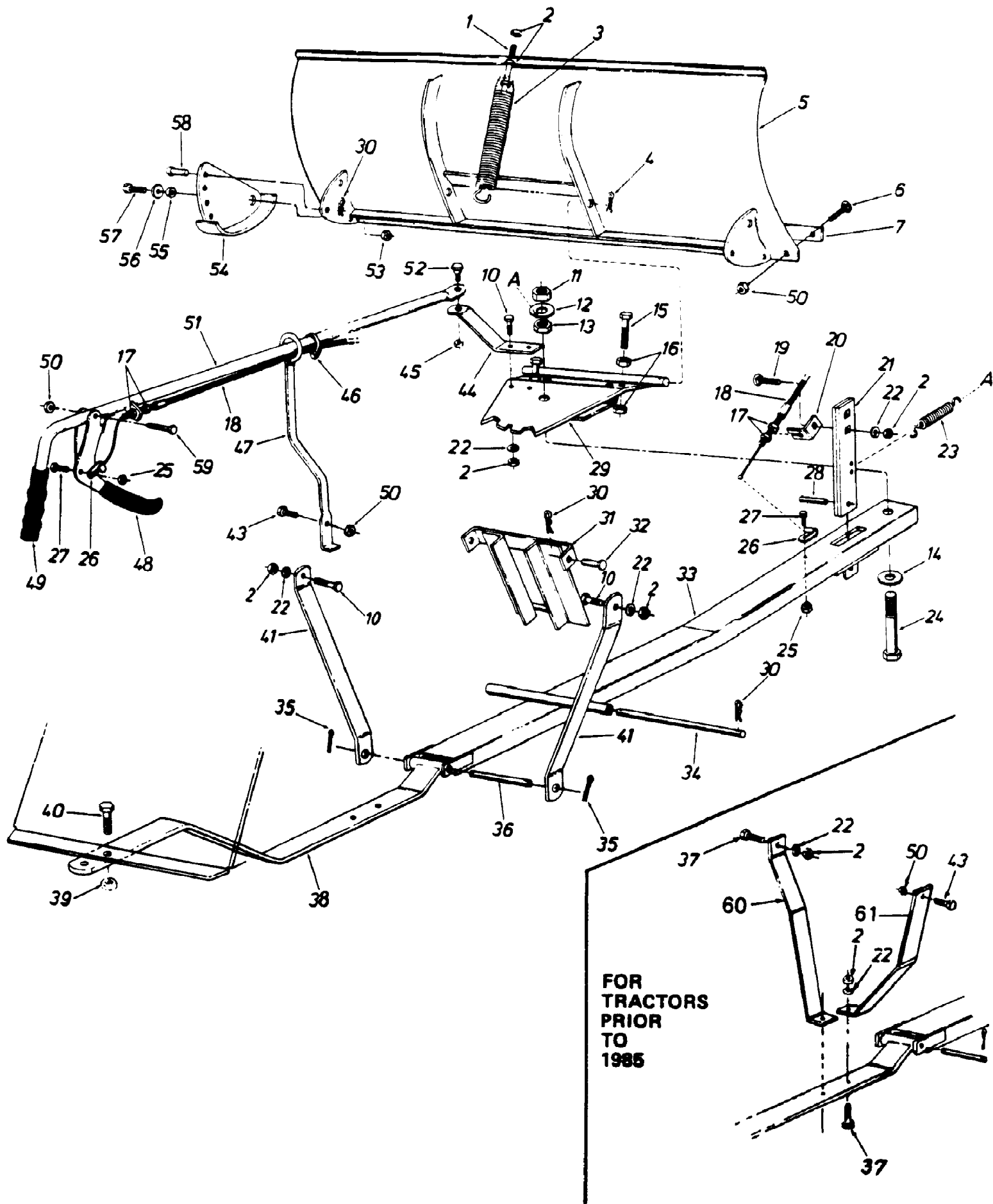


190-840-190 48" Snow Blade (1991)
48" Snow Blade

Page 1 of 3



190-840-190 48" Snow Blade (1991)
48" Snow Blade

Page 2 of 3

Ref #	Part Number	Qty	S/P/F	Description
1	710-0693	1	/P	Hex Scr. 3/8-16 x- 0 450 4.
2	712-0798	1	/P	HexNut 3/8-16 Thd.*
3	732-0359	1	/P	Blade Adjustment Spring
4	714-0117	1	/P	Hairpin Clip 5/32" Dia.
5	05741	1		48" Blade Ass'y.
6	710-0451	1	/P	Carriage Bolt 5/16-18 x 75" 4*
7	05754	1		Wear Plate 48"
10	710-0253	1	S	Hex Scr. 3/8-16 x 1.00 4
11	712-0205	1	/P	Hex L.-Nut 3/4-10 0 Thd.
12	736-0306	1	/P	Fl.-Wash. .810" I.D. x 2.00" O.D. (Special)
13	712-0301	1	/P	Hex Jam Nut 3/4-10 0 Thd.*
14	736-0305	1	S	Fl.-Wash. .810" I.D. x 2.00" O.D.
15	710-0489	1		Hex Scr. 1/2-13 x 2.00" 4
16	712-0206	1	S	Hex Nut 1/2-13 0 Thd.
17	712-0256	1	/P	Hex Jam Nut 5/16- 0 24 Thd.
18	746-0366	1	S	Control Cable Ass'y.
19	710-0305	1	S	Carriage Bolt 3/8-16 x 1.25" 4
20	05762	1		Cable Guide Bracket
21	05665	1	S	Angle-Lock Bar
22	736-0169	1	S	L.-Wash. 3/8" I.D
23	732-0360	1	S	Angle Lock Spring
24	710-0764	1		Hex Scr. 3/4-10 x 4.00" Lg. (Special)
25	712-0107	1	S	Hex L-Nut 1/4-20 Thd.
26	746-0260	1		Clevis Lanyard Fitting
27	710-0252	1	/P	Hex Scr. 1/420 x .75" Lg.*
28	715-0114	1	S	Roll Pin 1/4" Dia. x 1.00"
29	05764	1		Pivot Plate Ass'y. Lg.
30	714-0101	1	S	Hairpin Clip 3/32" Dia.
31	05751A	1		Guide Bracket Ass'y
32	711-0310	1	S	Clevis Pin 1 2" Dia. x 1.00" Lg.
	711-0309	1	S	Clevis Pin 5/8" Dia. x 1.25" 4.
33	05744	1		Push Bar Ass'y.
34	738-0454	1		Lift Shaft
35	714-0121	1	S	Cotter Pin 5/32" Dia. x 100" Lg.
36	738-0638	1	/P	Pivot Shaft
37	710-0342	1	S	Hex Scr. 3/8-16 x 1.25" Lg.*
38	05749A	1	/P	Hanger Bracket Ass'y.
39	712-0261	1	S	Hex L.-Nut 5/8-11 Thd
40	710-0367	1		Hex Scr. 5/8-11 x 1.50" Lg.*
41	16367	1		Hanger Link
43	710-0376	1	/P	Hex Bolt 5/16-18 x 100" Lg.
44	05757	1		Blade Pivot Bracket
45	712-0375	1	/P	Hex L.-Nut 3/8-16 Thd.
46	726-0178	1	S	Nylon Cable Tie
47	05761	1		Tube Guide Ass'y.
48	05639	1		Clutch Grip Ass'y.
49	07071	1	/P	Grip-3/4" Handle
50	712-0158	1	S	Hex L-Nut 5/16-18 Thd.
51	05758	1		Tube Handle Ass'y.
52	738-0234	1		Shld. Scr.-Special 3/8-16 Thd.
53	712-0375	1	/P	Hex L.-Nut 3/8-16 0 Thd.
54	05655	1	/P	Skid Assembly
55	750-0437			

190-840-190 48" Snow Blade (1991)
48" Snow Blade

Page 3 of 3

Ref #	Part Number	Qty	S/P/F	Description
56	736-0258	1	/P	Fl.-Wash. .385" I.D. x 1.00" O.D.
57	710-0216	1	/P	Hex Scr. 3/8-1ff x4 0 .75" Lg.*
58	711-0686	1	/P	Clevis Pin 5/16" Dia. x .75" Lg.
59	710-0442	1	S	Hex Scr. 5/16-18 x 1.50"Lg.
60	05755	1	F	Mounting Brkt.-L.H.
61	05756	1	F	Mounting Brkt-R.H.